



Sandwich and Panini Grills

Non-Stick Coated Surface: A710SA, A710PA

Standard Features:

- Adjustable from paper thin to 2" thickness
- Top locks at desired thickness
- Use top & bottom or bottom heat only
- Grease receptacle
- Handles for portability
- Bottom cook surface 12-7/8" D x 14-1/16" W
- Top cook surface 12" D x 13-1/16" W



A710SA



A710PA

Model Shown: *May ship UPS*

Application:

ToasterMaster A710 Series Sandwich and Panini grills are designed to uniformly grill both sides of a sandwich at the same time. To add to the grills' versatility, the bottom grill can be heated alone.

General Information:

Light-duty electric grill with simultaneous top and bottom grilling eliminates flipping sandwiches.

Overall dimensions are:

17" W x 18-1/2"D x 11 3/4" H

Neoprene feet are provided.

- Models A710 and A710S feature smooth upper and lower grill plates.
- Model A710P features grooved upper and lower plates.

Construction:

Construction is of formed and welded sheet steel. Grill plates are of cast aluminum. An 8 oz. capacity grease receptacle at the rear is easily removable for emptying and cleaning. Model A710 features grill plates with a natural aluminum finish. Models A710S and A710P feature grill plates with a **DuPont SilverStone Supra®** nonstick fluoropolymer coating.

Capacity:

Grills up to 4 sandwiches at one time.

Heating:

A preformed tubular heating element is clamped beneath the grill on each of the top and bottom grill plates.

Controls:

Controlled by an adjustable thermostat with a range of 150°F to 450°F with an "OFF" position. A three position switch is provided to turn the unit off, operate the bottom grill only, or operate both top and bottom grills. The top grill can be adjusted from paper-thin to thick sandwich heights and locked into place to provide consistent result.

Electrical:

Total rated input is 1.65 KW (0.65 KW top element, 1.0 KW bottom element). Available in 120V, 208V or 240V. All units are single-phase and are equipped with a 3 foot (914mm) cord and NEMA plug. Refer to the electrical specifications table on the reverse side of this sheet.

Coating:

Model A710 features grill plates with a natural aluminum finish. Models A710S and A710P feature grill plates with a **DuPont SilverStone Supra®** nonstick fluoropolymer coating.

SilverStone Supra® is the most durable nonstick system of the **DuPont SilverStone®** family of nonstick coatings. The coating was designed for small electric appliances and top-of-range cookware, and works well for a variety of commercial food processing applications where resistance to heat and abrasion are important. Its three-coat application system complies with FDA regulations governing direct food contact.

SilverStone Supra® is a registered trademark of DuPont. All rights are reserved.

Warranty:

Warranted for one year covering parts and labor. Call factory for warranty authorization.



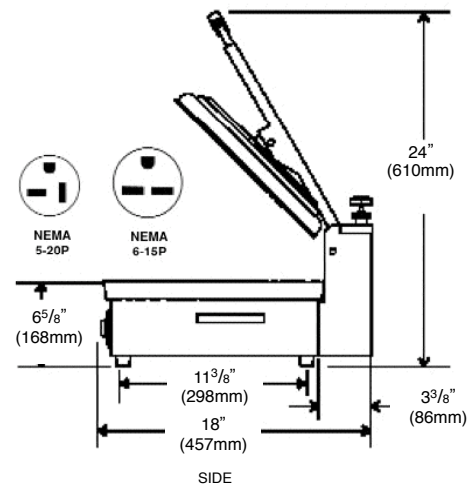
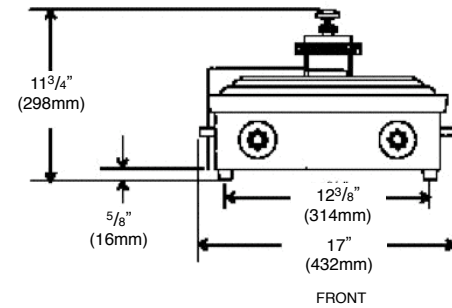
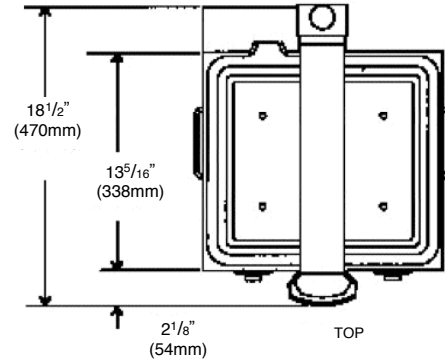
Sandwich and Panini Grills

Smooth Non-Stick Coated Surface

Model Number	A710SA	A710SA	A710SA
Griddle Type	Smooth	Smooth	Smooth
Surface	Non-Stick Coating	Non-Stick Coating	Non-Stick Coating
Width	17"	17"	17"
Depth	18-1/2"	18-1/2"	18-1/2"
Height	11-3/4" Closed 23" Open	11-3/4" Closed 23" Open	11-3/4" Closed 23" Open
Shipping Weight	39 lbs.	39 lbs.	39 lbs.
Supply (1 Phase)	120 V	208 V	240 V
Current Draw (Amps)	120 V - 13.8	208 V - 7.9	240 V - 6.9
Heat Input	1.65 KW	1.65 KW	1.65 KW
Factory Installed Cord & Plug	120V- NEMA 5-20P	208V- NEMA 6-15P	240V- NEMA 6-15P

Grooved Non-Stick Coated Surface

Model Number	A710PA	A710PA	A710PA
Griddle Type	Grooved	Grooved	Grooved
Surface	Non-Stick Coating	Non-Stick Coating	Non-Stick Coating
Width	17"	17"	17"
Depth	18-1/2"	18-1/2"	18-1/2"
Height	11-3/4" Closed 23" Open	11-3/4" Closed 23" Open	11-3/4" Closed 23" Open
Shipping Weight	39 lbs.	39 lbs.	39 lbs.
Supply (1 Phase)	120 V	208 V	240 V
Current Draw (Amps)	120 V - 13.8	208 V - 7.9	240 V - 6.9
Heat Input	1.65 KW	1.65 KW	1.65 KW
Factory Installed 36" Cord & Plug	120V- NEMA 5-20P	208V- NEMA 6-15P	240V- NEMA 6-15P



INTENDED FOR COMMERCIAL USE ONLY. NOT FOR HOUSEHOLD USE. TM114/1060

Toastmaster

Toastmaster, in line with its policy to continually improve its product, reserves the right to change materials or specifications without notice. Such revisions do not entitle the buyer to corresponding changes, improvements, additions, or replacements for previously purchased equipment.

THE MIDDLEBY CORPORATION
THE BRAND BEHIND THE BRANDS

Toastmaster® 10 Sunnen Dr. St. Louis, MO 63143 • www.toastmastercorp.com

Toll Free: 1-800-264-7827 • Telephone: 1-314-781-2777 • Toll Free Fax: 1-800-264-6666 • Fax: 314-781-3636