



Foodservice Equipment

Job \_\_\_\_\_ Item# \_\_\_\_\_

## Countertop Gas & Electric Hot Plates

### Gas Hot Plates:

*TMDO1200, TMDO1200P, TMDO2400, TMDO2400P, TMDO3600, TMDO3600P,*

#### Standard Features:

- 2 adjustable burners per 12" cooking zone
- Natural gas or LP
- Removable heavy duty cast iron grates



TMDO2400



TECHP113272

### Electric Hot Plate: *TECHP113272*

#### Standard Features:

- (2) 9" solid state plates
- Infinite thermostat with six position settings
- 208/240 Volts

#### Application:

Toastmaster's countertop gas and electric hot plates are the most economical and flexible countertop hot plates in the food service industry. They offer unsurpassed performance, combining a proven control system with Toastmaster quality and durability.

#### General Information:

Stainless steel front including top rail, with aluminized steel rear and sides. Gas units include full crumb tray for easy cleaning.

The electric model is available with (2) 9" cooking plates, while the gas model is available in 3 different sizes - 12", 24" and 36".

#### Electrical:

None required on gas units. TECH is wired with combination voltage of 208/240.

#### Heating:

On the electric models, heating is accomplished with 9" solid round hotplate with element embedded in ceramic and permanently bonded to the plate.

In the gas units, each burner is controlled by independent control of flame. One standing pilot services each burner. A 3/4" rear gas connection is standard. Each burner is rated for 20,000 BTU/hr for natural gas and 20,000 BTU/hr for propane gas

**Electrical:** The TECHP1132 is wired with combination voltage of 208/240 Volts, single phase. There is no electrical requirement on the gas units. **Gas:** The TMDO gas units contain 2 burners per 12". The TMDO12's have a total of 2 burners, the TMDO24's have a total of 4 burners, and the TMDO36's have a total of 6 burners.

#### Controls:

One front panel mounted control knob per burner, to allow adjustable flame height. Two burners per 12". TECH - Temperatures are regulated by an infinite heat switch. Dial knobs with an "OFF" position are mounted in front with guard. An indicator light is associated with each switch. Each hotplate is provided with an integral temperature limit control for over temperature protection.

#### Cleanability:

- Stainless steel front for durability and easy cleanup.

#### Warranty:

Warranted for one year covering parts and labor. (USA only) Call factory for warranty authorization.



Model Shown: *May ship UPS*

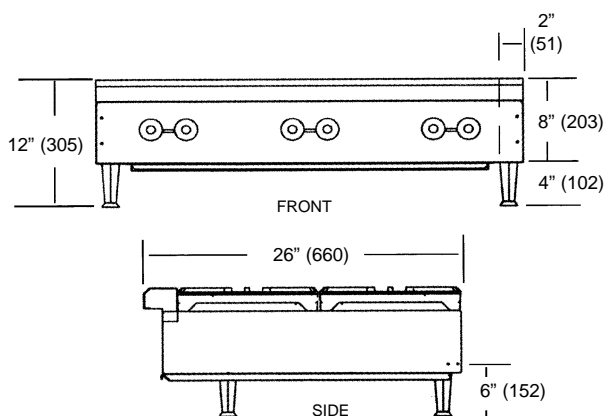
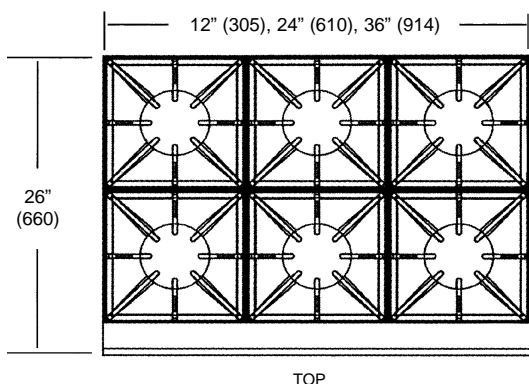
**Toastmaster®** 5600 13th Street, Menominee, MI 49858 • www.toastmastercorp.com  
Toll Free: 1-800-338-9886 • Telephone: 1-906-863-4401 • Fax: 1-906-863-5889

Countertop Gas & Electric Hot Plates - Models: *TECHP113272, TMDO12, 24, & 36*

# Countertop Gas & Electric Hot Plates

**Electric: TECHP113272**

**Gas: TMDO1200, TMDO1200P, TMDO2400, TMDO2400P, TMDO3600, TMDO3600P**



## Countertop Gas Hot Plates

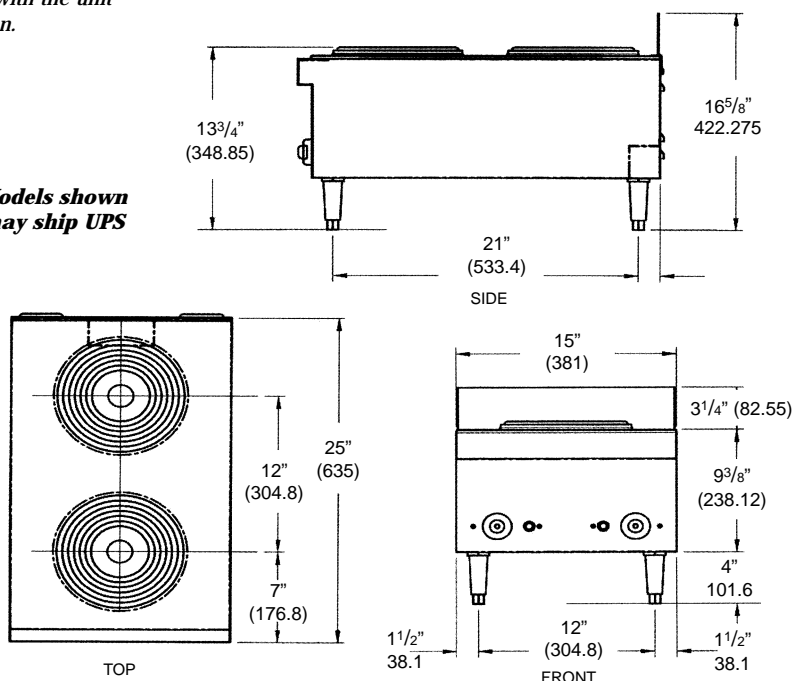
| Model Number   | TMDO1200                  | TMDO1200P                 | TMDO2400                  | TMDO2400P                 | TMDO3600                  | TMDO3600P                 |
|----------------|---------------------------|---------------------------|---------------------------|---------------------------|---------------------------|---------------------------|
| Gas Type       | Natural                   | LP                        | Natural                   | LP                        | Natural                   | LP                        |
| Cook Zone Size | 12"                       | 12"                       | 24"                       | 24"                       | 36"                       | 36"                       |
| BTU/hr         | 40,000                    | 40,000                    | 80,000                    | 80,000                    | 120,000                   | 120,000                   |
| Weight         | 105 lbs.                  | 105 lbs.                  | 160 lbs.                  | 160 lbs.                  | 245 lbs.                  | 245 lbs.                  |
| Dimensions     | 12-1/4" W x 12" H x 27" L | 12-1/4" W x 12" H x 27" L | 24-3/8" W x 12" H x 27" L | 24-3/8" W x 12" H x 27" L | 36-1/2" W x 12" H x 27" L | 36-1/2" W x 12" H x 27" L |

*All units are shipped with NAT configuration.  
A universal pressure regulator is shipped loose with the unit including LP orifice for field conversion.*

## Countertop Electric Hot Plates

|                           |                              |
|---------------------------|------------------------------|
| Model Number              | TECHP113272                  |
| Supply                    | 208/240 V                    |
| Current Draw (Amps)       | 208/1 - 21.7<br>240/1 - 18.8 |
| Total KW                  | 208 V - 3.9<br>240 V - 5.2   |
| Incoming Supply AWG (min) | 1AW NAC                      |
| Cook Zone Size            | (2) 9" Plates                |
| Weight                    | 40 lbs.                      |
| Dimensions                | 15" W x 16-5/8" H x 25" L    |

*Models shown may ship UPS*



**INTENDED FOR COMMERCIAL USE ONLY. NOT FOR HOUSEHOLD USE.**



Toastermaster, in line with its policy to continually improve its product, reserves the right to change materials or specifications without notice. Such revisions do not entitle the buyer to corresponding changes, improvements, additions, or replacements for previously purchased equipment.

