



Foodservice Equipment

Job _____ Item# _____

XO-1N Convection Oven Omni Tabletop Oven



Omni Tabletop Oven STANDARD FEATURES:

- Stainless steel construction
- 4" legs
- Silicone rubber gasket
- Dual pane, tempered glass, cool to touch door
- Electromechanical controls
- Slam cam door handle

OPTIONS:

- Wire Shelf Racks each (98-1227-A)
- Cart with Panslides (98-9413)
- Cart without Panslides (98-9415)
- Stand with Panslides (98-9416)
- Stand without Panslides (98-9417)
- Stacking Kit

Note: Units cannot be stacked when using cart or stand.

SIZE:

XO-1N - 20" High, 28" Wide, 27-3/8" Deep
508 mm High, 711 mm Wide, 696 mm Deep

Toastmaster's XO-1N Omni is the ideal oven for Convenience Stores, Catering Service, Restaurants, Donut Shops, Ice Cream Parlors, and Yogurt Stores. Compact and lightweight, yet able to cook to perfection a variety of foods, including appetizers, pies, cakes, cookies, muffins, brownies, croissants, cinnamon rolls, small breads, rolls, meats, fish and fowl, and heating and cooking all types of prepared foods.

The XO-1N is a 120 Volt unit. It arrives equipped with a cord and plug, so all you have to do is plug it in and begin."

The XO-1N is the smallest oven with the ability to hold either three or four half-size sheet pans.

These units also feature dual pane, cooler to the touch door with a Slam-Cam handle.

CONSTRUCTION:

- Welded stainless steel
- Fully insulated
- Control panel accessible through front of unit
- Heating elements accessible inside of cabinet and through rear

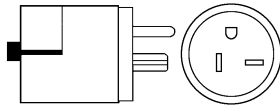
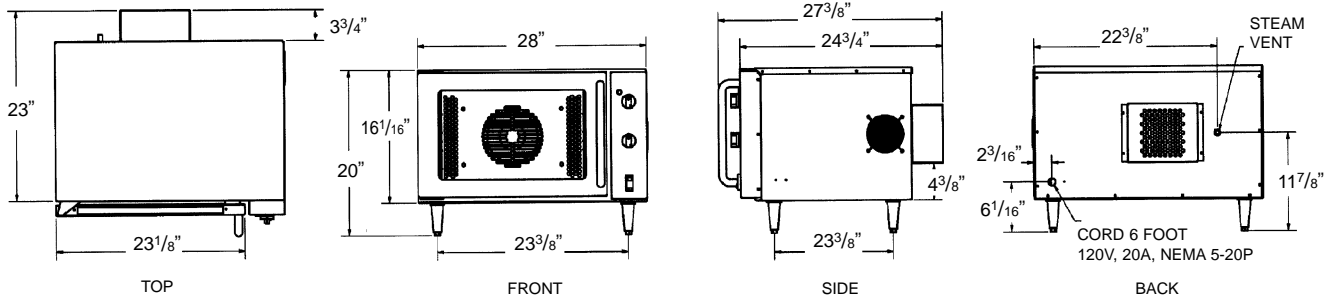
CONTROLS:

- Electromechanical controls
- Indicator light for thermostat
- Microswitch fan motor cut-off

LABORATORY CERTIFICATION AND APPROVAL



XO-1N Convection Oven Omni Tabletop Oven



120 Volt, 20 Amp
(NEMA 5-20 P)

SPECIFICATIONS:

ELECTRICAL:

- 120/1 at 16 Amps.

SERVICE CONNECTIONS:

- Unit is shipped from factory with cord and plug.
- 120-Volt single phase is standard.

ELECTRICAL:

Amp Draw	120/1
L1	16

LISTINGS:

The XO-1N has C-ETL-US & NSF listings.



INSTALLATION:

Allow four inches on each side and back of unit for ventilation of oven.

CAPACITY:

	13"x18" Sheet Pans	Spacing
Oven	3	3-3/4"
	4	2"

DIMENSIONS:

	Height	Width	Depth
Exterior	20"	28"	27-3/8"
Interior	11-5/8"	18-1/8"	13-1/4"

DOOR SWING: Oven - 24" (610 mm)

PACKING SIZE:

24" High, 36" Wide, 36" Deep
(610 mm High, 914 mm Wide, 914 mm Deep)

SHIPPING WEIGHT:

140 Pounds (64 Kg), FOB Menominee, MI 49858

INTENDED FOR COMMERCIAL USE ONLY. NOT FOR HOUSEHOLD USE.



Toaster, in line with its policy to continually improve its product, reserves the right to change materials or specifications without notice. Such revisions do not entitle the buyer to corresponding changes, improvements, additions, or replacements for previously purchased equipment.

