



Foodservice Equipment

Job _____ Item# _____

TFO-26 Finishing Oven



Toastmaster's Finishing Oven -

is the most economical and flexible in the food service industry. It offers unsurpassed performance, combining proven control system with Toastmaster quality and durability. With your proper care and maintenance you will experience years of reliable and trouble-free operation.

TOASTMASTER has a policy of continuous product research and development. We reserve the right to change specifications and product design without notice. Such revisions do not entitle the buyer to corresponding changes, improvements, additions or replacements for previously purchase equipment.

WARRANTY

- One year from the date of purchase.

SIZE:

TFO-26

17.759" High, 30" Wide, 12.786" Deep

STANDARD FEATURES:

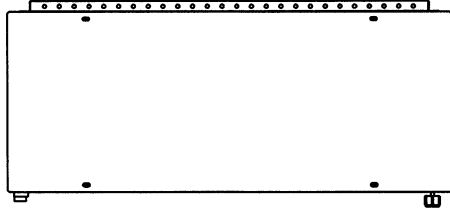
- Stainless steel front, back and sides.
- 15 minute cycle timer, power indicator light, power on/off switch.
- Cool to touch exterior.
- Stainless steel adjustable shelf.
- Supply with 120 V power cord.
- Rest on 4" adjustable stainless steel legs.
- Ability to convert to pass thru unit with no additional parts necessary.

LABORATORY CERTIFICATION AND APPROVAL

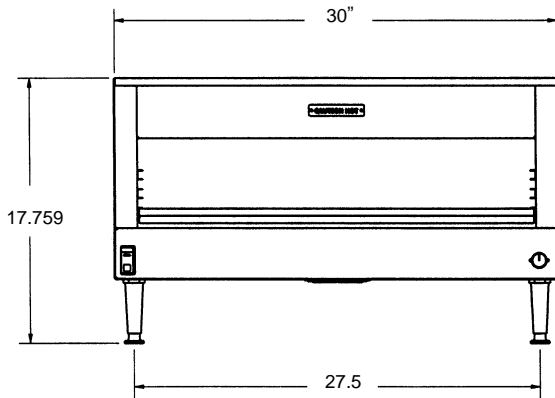
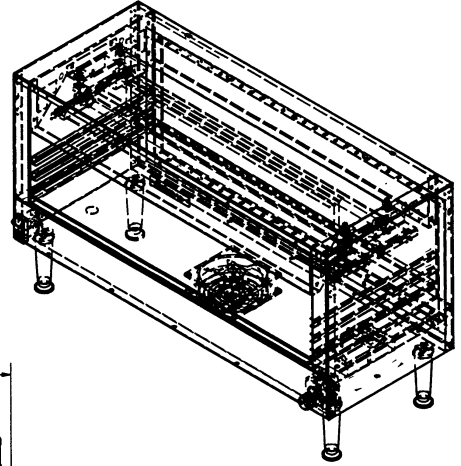


TFO-26 Finishing Oven

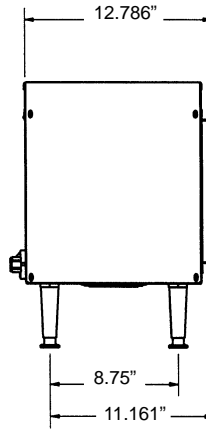
Toastmaster TFO-26 Finishing Oven



TOP VIEW



FRONT VIEW



SIDE VIEW

- **Capacity:**
Holds two (2) - 12" plates. Shelf adjustable to 7 positions with 6" maximum height.
- **Electrical:**
120 Volt single phase is standard. 12.5 Amps., NEMA 5-15P
- **Check local codes for fire and sanitary regulations.**
- Toastmaster equipment is built to comply with applicable standards for manufacturers. Included are UL, C-UL, NSF, ETL, C-ETL and others. Many local codes exist and it is the responsibility of the owner and installer to comply.

***Intended for commercial use only.
Not intended for household use.***

INTENDED FOR COMMERCIAL USE ONLY. NOT FOR HOUSEHOLD USE.



Toastmaster, in line with its policy to continually improve its product, reserves the right to change materials or specifications without notice. Such revisions do not entitle the buyer to corresponding changes, improvements, additions, or replacements for previously purchased equipment.

