



Foodservice Equipment

Job \_\_\_\_\_ Item# \_\_\_\_\_

## SC-7 Slo-Cook'n Hold Oven



Shown with Optional Casters

### SC-7 Slo-Cook'n Hold Oven

#### STANDARD FEATURES:

- Stainless steel construction
- 6" stainless steel legs
- Cook'n Hold
- Includes 4 chrome racks
- Stainless steel door
- Silicone rubber door gasket
- Magnetic door handle

#### OPTIONS:

- Casters
- Additional chrome racks (101-0025)
- Cart with Panslides (101-6100-PS)
- Cart without Panslides (101-6100-NP)
- Stand with Panslides (101-9006-PS)
- Stand without Panslides (101-9006-NP)
- Product probe

#### SIZE:

**SC-7** - 44-3/4" High, 27-3/8" Wide, 36-5/8" Deep  
985 mm High, 696 mm Wide, 922 mm Deep

The **Toastmaster** Slo-Cook ovens feature the even heat system which surrounds the product with a gentle heat for thorough cooking with minimum shrinkage due to moisture loss. This produces an excellent product and increased profits. The unit is well-suited for meat, fish, fowl, vegetables and hot dishes.

#### CONSTRUCTION:

- Stainless steel construction
- Fully insulated
- Control panel accessible from front of unit and through top
- Heating elements accessible inside and back of unit

#### CONTROLS:

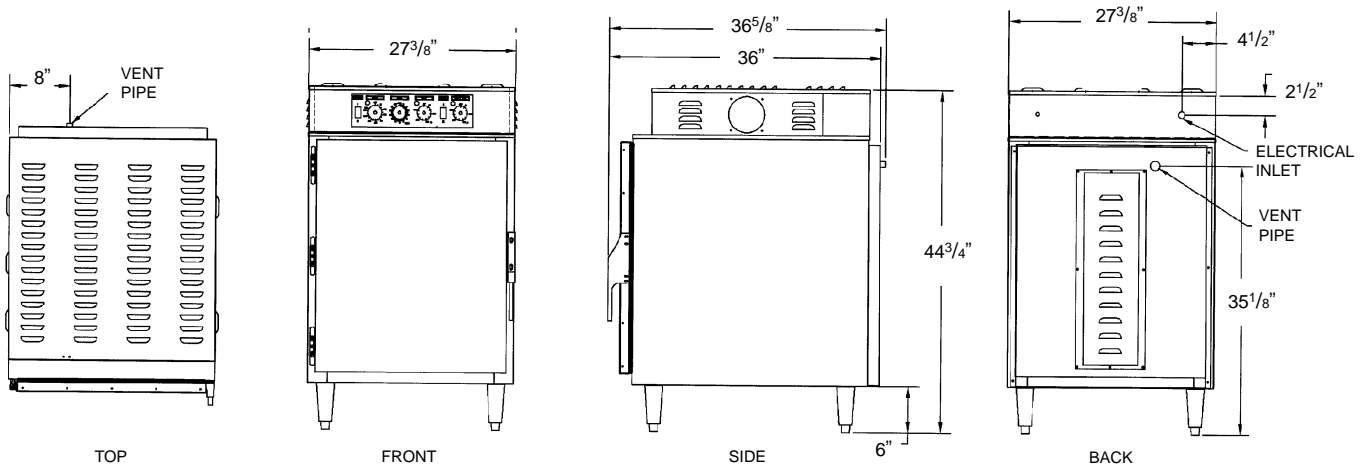
- Solid state controls
- Indicator light for thermostat
- Cook'n Hold feature utilizes cook thermostat, hold thermostat and 24 hour timer

#### LABORATORY CERTIFICATION AND APPROVAL



Toastmaster SC-7 Slo-Cook'n Hold Oven

# SC-7 Slo-Cook'n Hold Oven



**SPECIFICATIONS:**

**ELECTRICAL:**

208 or 240 Volt single or three phase is standard. (Please specify at time of order.)

**SERVICE CONNECTIONS:**

SC-7 is shipped from factory to be hard wired on site. Single phase uses three wire system. Three phase uses four wire system.

**ELECTRICAL:**

Amp Draw	208/1	208/3	240/1	240/3
	15	10	13	9

**LISTINGS:**

The SC-7 has C-ETL-US and NSF listings.



**INSTALLATION:**

Allow four inches on each side and back for ventilation of unit.

**CAPACITY:**

	18"x26" Sheet Pans	13"x18" Sheet Pans	Spacing
Oven	7	14	3-1/2"

4 Chrome racks included  
Approximately 150 pounds of product

**DIMENSIONS:**

	Height	Width	Depth
Exterior	44-3/4"	27-3/8"	36-5/8"
Interior	29"	18-3/4"	28-7/8"

**DOOR SWING:** Slo-Cook'n Hold Oven - 27-5/8"

**PACKING SIZE:**

46" High, 36" Wide, 40" Deep  
(1168 mm High, 915 mm Wide, 1016 mm Deep)

**SHIPPING WEIGHT:**

400 Pounds, FOB Menominee, MI 49858

**INTENDED FOR COMMERCIAL USE ONLY. NOT FOR HOUSEHOLD USE.**



Toastmaster, in line with its policy to continually improve its product, reserves the right to change materials or specifications without notice. Such revisions do not entitle the buyer to corresponding changes, improvements, additions, or replacements for previously purchased equipment.

