



Foodservice Equipment

Job _____ Item# _____

SC-14

Slo-Cook'n Hold Oven Reach In



SIZE:

SC-14 - 73-1/2" High, 27-3/8" Wide, 36-5/8" Deep
1867 mm High, 696 mm Wide, 922 mm Deep

The **Toastmaster** Slo-Cook ovens feature the even heat system which surrounds the product with a gentle heat for thorough cooking with minimum shrinkage due to moisture loss. This produces an excellent product and increased profits. The unit is well-suited for meat, fish, fowl, vegetables and hot dishes.

CONSTRUCTION:

- Stainless steel construction
- Fully insulated
- Control panel accessible from front of unit and through top
- Heating elements accessible inside and top of unit

CONTROLS:

- Solid state controls
- Indicator light for thermostat
- Cook'n Hold feature utilizes cook thermostat, hold thermostat and 24 hour timer

LABORATORY CERTIFICATION AND APPROVAL



SC-14 Floor Model Slo-Cook'n Hold

STANDARD FEATURES:

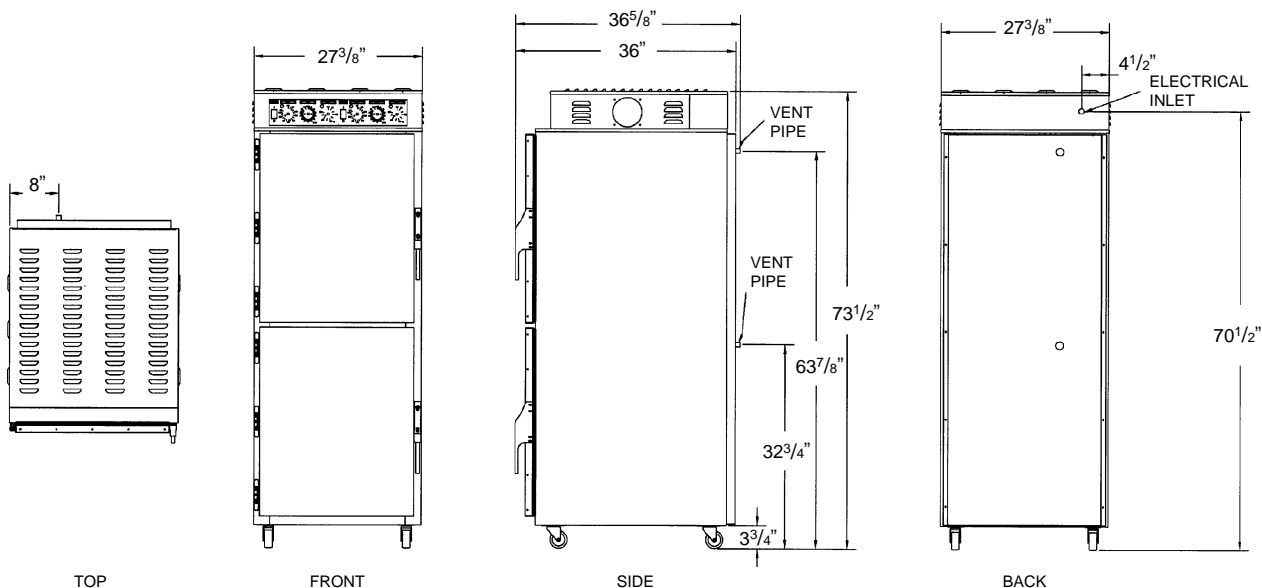
- Stainless steel construction
- 3" locking casters
- Silicone rubber gasket on doors
- Cook'n Hold
- Includes 8 chrome racks
- Stainless steel doors
- Magnetic handles

OPTIONS:

- Set of 6" legs
- Additional chrome racks (101-0025)
- Product probe

Toastmaster SC-14 Reach In Slo-Cook'n Hold Oven

SC-14 Slo-Cook'n Hold Oven Reach In



SPECIFICATIONS:

ELECTRICAL:

208 or 240 Volt single or three phase is standard.
(Please specify at time of order.)

SERVICE CONNECTIONS:

SC-14 is shipped from factory to be hard wired on site.
Single phase uses three wire system. Three phase uses four wire system.

ELECTRICAL:

Amp Draw	208/1	208/3	240/1	240/3
	30	20	26	17

WATER:

A 1/4" waterline is required. A water filtration system should be used to minimize mineral build-up.

LISTINGS:

The SC-14 has C-ETL-US and NSF listings.



INSTALLATION:

Allow four inches on each side and back for ventilation of unit.

CAPACITY:

	18"x26" Sheet Pans	13"x18" Sheet Pans	Spacing
Oven	14	28	3-1/2"

8 Chrome racks included
Approximately 350 pounds of product

DIMENSIONS:

	Height	Width	Depth
Exterior	73-1/2"	27-3/8"	36-5/8"
Interior per Compartment			
	29"	18-3/4"	28-7/8"

DOOR SWING: Slo-Cook'n Hold Oven - 27-5/8"

PACKING SIZE:

87" High, 36" Wide, 40" Deep
(2210 mm High, 915 mm Wide, 1016 mm Deep)

SHIPPING WEIGHT:

600 Pounds, FOB Menominee, MI 49858

INTENDED FOR COMMERCIAL USE ONLY. NOT FOR HOUSEHOLD USE.



Toastmaster, in line with its policy to continually improve its product, reserves the right to change materials or specifications without notice. Such revisions do not entitle the buyer to corresponding changes, improvements, additions, or replacements for previously purchased equipment.

