



ES-13

Reach In Oven/Smoker with Humidity



SIZE:

ES-13 - 77-1/4" High, 27-3/8" Wide, 36" Deep
1963 mm High, 696 mm Wide, 915 mm Deep

The **ES series of smoker ovens** offers the capability to dry bake, bake with moisture, warm, slo-cook, hold and smoke. A minimum footprint is required because of the top mounted motor.

Steam is generated internally by using the same elements that generate the heat. This eliminates the need for a boiler or reservoir. Set the humidity dial to the desired setting. The greater the number the more steam/humidity.

Since each control is independent, a variety of different conditions may be utilized in processing products. The use of all controls will produce a warm, tender, moist product.

The heat, steam and smoke are distributed evenly throughout the oven cavity by the fan located in the top of the oven. Smoke, steam and heat may be vented out of the top through a ball valve prior to opening the door of the unit when a load of product is completed.

CONSTRUCTION:

- Stainless steel construction
- Fully insulated
- Control panel accessible from front of unit and through top
- Heating elements accessible inside of cabinet and through top of unit

CONTROLS:

- Solid state controls
- Fan on/off switch
- Indicator light for thermostat
- Cook'n Hold feature utilizes cook thermostat, hold thermostat and 24 hour timer
- Smoke on/off switch
- Separate heat and humidity controls

STANDARD FEATURES:

- Stainless steel construction
- Heavy duty locking casters
- Silicone rubber gasket on doors
- Top ball valve for steam and smoke release
- Cook'n Hold
- AutoMist humidity system
- Variable moisture control
- Includes 8 chrome racks
- Stainless steel doors

OPTIONAL FEATURES:

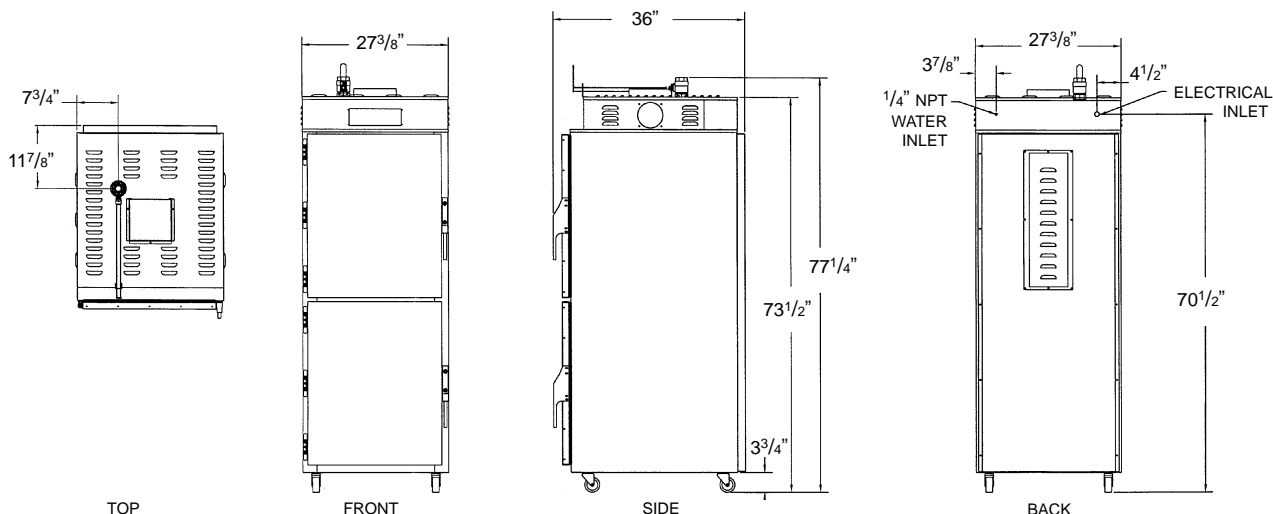
- Set of 6" legs
- Additional chrome racks (101-0025-C)
- External smoke box



LABORATORY CERTIFICATION AND APPROVAL

Toastmaster ES-13 Reach In Oven/Smoker with Humidity

ES-13 Reach In Oven/Smoker with Humidity



SPECIFICATIONS:

ELECTRICAL:

208 or 240 Volt single or three phase is standard.
(Please specify at time of order.)

SERVICE CONNECTIONS:

ES-13 is shipped from factory to be hard wired on site.
Single phase uses three wire system. Three phase uses four wire system.

ELECTRICAL:

Amp Draw	208/1	208/3	240/1	240/3
	23	19.5	20.5	17

WATER:

A 1/4" waterline is required. A water filtration system should be used to minimize mineral build-up.

LISTINGS:

The ES-13 has C-ETL-US and NSF listings.



INSTALLATION:

Allow four inches on each side and back for ventilation of unit.

CAPACITY:

	18"x26" Sheet Pans	13"x18" Sheet Pans	Spacing
Smoker	13	26	3-1/2"

8 Chrome racks included
Approximately 350 pounds of product

DIMENSIONS:

	Height	Width	Depth
Exterior	77-1/4"	27-3/8"	36"
Interior	60"	18-3/4"	29"

DOOR SWING: Smoker - 27-5/8"

PACKING SIZE:

87" High, 36" Wide, 40" Deep
(2210 mm High, 915 mm Wide, 1016 mm Deep)

SHIPPING WEIGHT:

600 Pounds, FOB Menominee, MI 49858

INTENDED FOR COMMERCIAL USE ONLY. NOT FOR HOUSEHOLD USE.



Toastmaster, in line with its policy to continually improve its product, reserves the right to change materials or specifications without notice. Such revisions do not entitle the buyer to corresponding changes, improvements, additions, or replacements for previously purchased equipment.

