



Foodservice Equipment

Job \_\_\_\_\_ Item# \_\_\_\_\_

## E17UAC-INS-20

### Aluminum Full Size Insulated Heater / Proofer



**SIZE:**

**E17UAC-INS-20**

67-1/2" High, 27-5/8" Wide, 31-5/8" Deep

1715 mm High, 702 mm Wide, 804 mm Deep

**Toastmaster's E17UAC-INS-20** - In locations where cabinets will be used primarily for holding with infrequent serving applications (gauged by door openings) or in situations with limited start-up budgets, the non-insulated cabinet would satisfy most requirements. In higher volume operations with more frequent serving applications the insulated cabinet would be the better choice as it delivers a faster recovery and greater consistency of temperature.

**CONSTRUCTION:**

- Aluminum construction
- Removable heating console
- Fully Insulated
- Removable universal pan slides

**CONTROLS:**

- Mechanical controls

**LABORATORY CERTIFICATION AND APPROVAL**



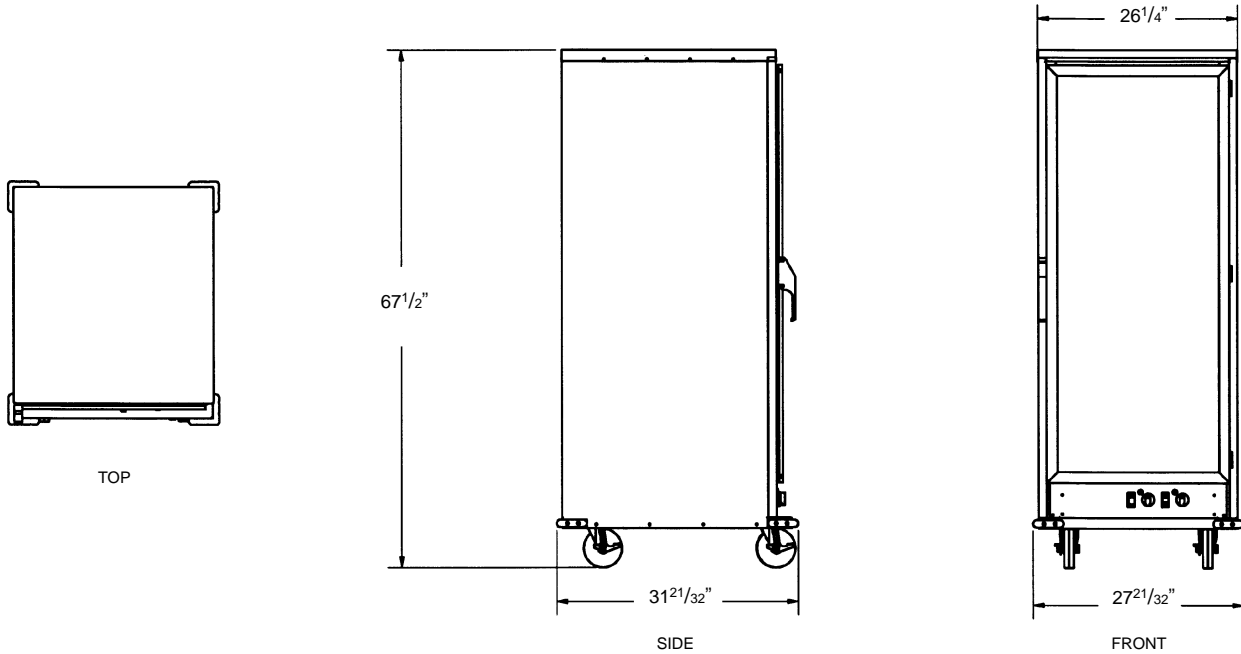
**STANDARD FEATURES:**

- Air baffle and circulation air blower provide even heat distribution
- Aluminum construction
- Insulated
- Set of 5" swivel casters with brakes
- Polycarbonate door
- Lift-off door

**OPTIONAL FEATURES:**

- Push handle
- Solid door (order as E17UAC-INS-SD-20)
- Also available in 15 amps.  
Model # E17UAC-INS-15  
12.5 amps - NEMA 5-15P

# E17UAC-INS-20 Aluminum Full Size Insulated Heater / Proofer



**SPECIFICATIONS:**

**SERVICE CONNECTIONS:**

- Unit provided with 6 foot detachable cord and plug.
- Removable console consisting of blower, three-way toggle switch, running lights to indicate heater (holding) or proofing mode, stainless steel water reservoir.
- Element controlled by 180 degrees thermostat. 1700 Watts in heating mode. 1700 Watts in proofing mode.

**CAPACITY:**

Heater/Proofer	18"x26" Full Size Sheet Pans	12"x20"x2-1/2" Food Service Pans	18"x26" Full Size Sheet Pans
	17	34	34
Spacing	3"	3"	3"

**DIMENSIONS:**

	Height	Width	Depth
Exterior	67-1/2"	27-5/8"	31-5/8"
Interior	52-1/2"	21-3/8"	27"

**ELECTRICAL:**

Amp Draw	120/1	208/3	240/1	240/3
	14	n/a	n/a	n/a

**DOOR SWING:**

- Door swings 270 degrees to the recessed side of the cabinet

**LISTINGS:**

The E17UAC-INS-20 has C-ETL-US and NSF listings.



**PACKING SIZE:**

72" High, 28" Wide, 40" Deep  
(1828 mm High, 711 mm Wide, 1016 mm Deep)

**SHIPPING WEIGHT:**

140 Pounds, FOB Menominee, MI 49858

**INTENDED FOR COMMERCIAL USE ONLY. NOT FOR HOUSEHOLD USE.**



Toastmaster, in line with its policy to continually improve its product, reserves the right to change materials or specifications without notice. Such revisions do not entitle the buyer to corresponding changes, improvements, additions, or replacements for previously purchased equipment.

